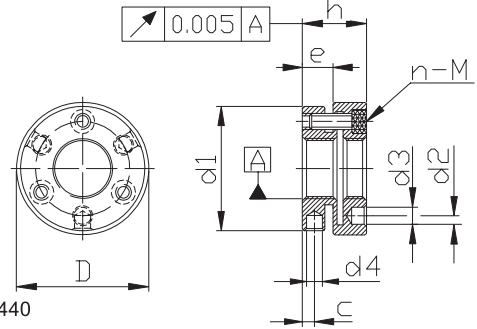


GMKR



- This product is mainly used in the fabrication of precision plane grinding. It is designed by focusing on the braking function, allowing the screw surface contour to tightly bond against the male threads through the deformation of the nut itself to create stronger brake performance.
- No need of locking washer and keyway.
- Correct assembly procedure and can also be repeatedly used.

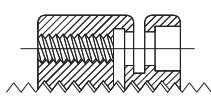


- Material : SCM 440
- Hardness : HRC 28-32
- Accuracy : ISO 4H

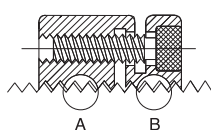
Specification Description

Model No.	Dimensions								Spiral Angle	Screw Torque		
	D	h	e	d1	d2	d3	d4	c		DIN	n	Max. kgf-cm
GMKR 10 x 0.75P	24	14	6.6	22	17	3.2	2.5	2.5	1.44	M3 x10	3	20
GMKR 10 x 1.0P				25	19				1.95			
GMKR 12 x 1.0P				26	15				2.48			
GMKR 12 x 1.5P	32	16	7.6	30	22.5	4	3	3	2.10	M4 x10	4	30
GMKR 14 x 1.5P				31	23.5				1.27			
GMKR 15 x 1.0P	33	18	N/A	N/A	24.5	4.3	5	5	1.82	M4 x12	4	30
GMKR 16 x 1.5P	34				25.5				1.21			
GMKR 17 x 1.0P	35				26.5				1.61			
GMKR 18 x 1.5P	36				30.5				0.94			
GMKR 20 x 1.0P	40				32.5				1.44			
GMKR 20 x 1.5P					35				1.30			
GMKR 22 x 1.5P	45				36.5				1.19			
GMKR 24 x 1.5P					42				38.5			
GMKR 25 x 1.5P	46				40.5				1.09			
GMKR 26 x 1.5P					48				42.5			
GMKR 28 x 1.5P	50	45.5	0.94									
GMKR 30 x 1.5P		44	48.5	0.80								
GMKR 32 x 1.5P	53	50.5	0.74									
GMKR 35 x 1.5P		51	52.5	0.70								
GMKR 38 x 1.5P	58	58	0.67									
GMKR 40 x 1.5P		56	59.5	0.62								
GMKR 42 x 1.5P	60	61.5	0.58									
GMKR 45 x 1.5P		58	63.5	0.56								
GMKR 48 x 1.5P	68	66.5	0.54									
GMKR 50 x 1.5P		60	66.5	0.51								
GMKR 52 x 1.5P	70	66.5	0.68									
GMKR 55 x 1.5P		72	66.5	0.68								
GMKR 55 x 2.0P	75	66.5	0.68									

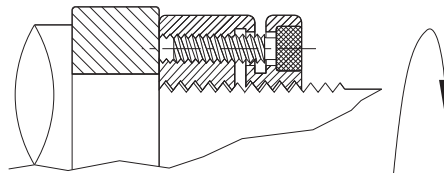
1.

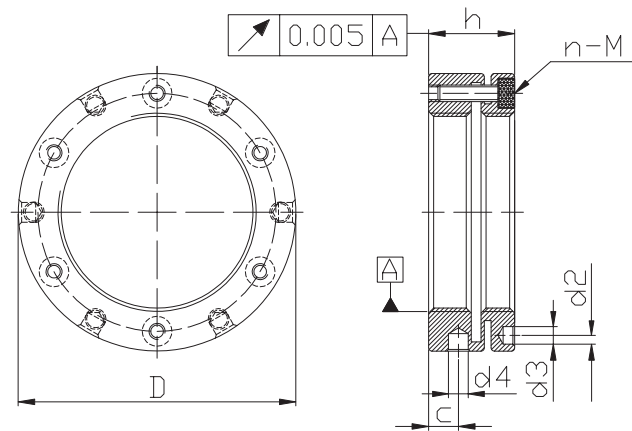


2.



3.





• GMKR16-GMKR200

Specification Description

Model No.	Dimensions									Spiral Angle	Screw Torque				
	D	h	e	d1	d2	d3	d4	c	DIN		n	Max. kgf-cm			
GMKR 58 x 1.5P	82	26	N/A	N/A	72.5	5.3	6	9	0.48	M5 x18	61				
GMKR 60 x 1.5P	84				74.5							10.5	0.46		
GMKR 60 x 2.0P	86				76.5									0.62	
GMKR 62 x 1.5P	88	78.5			0.45										
GMKR 65 x 1.5P	95	83													0.43
GMKR 65 x 2.0P	98	85													
GMKR 68 x 1.5P	100	86			9.5	0.41									
GMKR 70 x 1.5P	110	88					8.5	0.40							
GMKR 70 x 2.0P	115	95			6	0.53									
GMKR 72 x 1.5P	120	100					8	0.39							
GMKR 75 x 1.5P	125	108			11	0.37									
GMKR 75 x 2.0P	130	113					0.46								
GMKR 80 x 2.0P	135	123			M6 x20	6									
GMKR 85 x 2.0P	140	128					102								
GMKR 90 x 2.0P	145	133			13	0.44									
GMKR 95 x 2.0P	155	140	0.41												
GMKR 100 x 2.0P	160	148		0.39											
GMKR 105 x 2.0P	165	153	M6 x25		6										
GMKR 110 x 2.0P	180	165		12		0.46									
GMKR 115 x 2.0P	190	175	8		0.43										
GMKR 120 x 2.0P	205	185		14		0.40									
GMKR 125 x 2.0P	215	195	M8 x30		8										
GMKR 130 x 3.0P	230	210		255											
GMKR 140 x 3.0P	240	224	0.37												
GMKR 150 x 3.0P	245	229		0.35											
GMKR 160 x 3.0P			0.33												
GMKR 170 x 3.0P				0.31											
GMKR 180 x 3.0P			0.29												
GMKR 190 x 3.0P				0.28											
GMKR 200 x 3.0P															

Instructions of Ordering :

Before ordering the aforesaid product, please indicate the desired model number. For example : GMKR25 x 1.5P.

- To order special left-hand thread precision nut, please indicate "-L". For example : GMKR25x1.5P-L.
- To order special precision nut with UK-system threads, please indicate "-U20" (i.e., 20 threads per inch). For example : GMKR25-U20.
- The in-stock inventories are not available for the aforesaid special parts. To purchase, please place the order in advance for the convenience of using.

